

FFLED Field-Adjustable Floodlights



FFLEDXS / FFLEDS



PROJECT: _____

DATE: _____

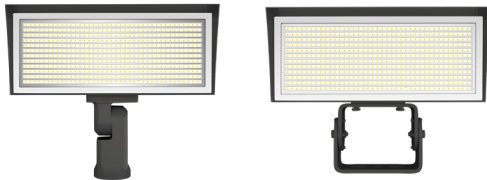
TYPE: _____

PREPARED BY: _____

FFLEDM



FFLEDL



KEY FEATURES

- Available in following different selectable wattages:
- FFLEDXS: 18/13/9W
- FFLEDS: 39/26/18W
- FFLEDM: 80/52W
- FFLEDL: 230/180/120W
- CCT: 3000K or selectable 4000K/5000K
- Knuckle mount on FFLEDXS, FFLEDS and FFLEDM
- Slipfitter and Trunnion available on FFLEDM and FFLEDL
- Available in bronze and white finish
- UL listed for wet location
- IP66 listed
- 0-10V dimmable
- 10-Year, no-compromise warranty

Field-Adjustable wattage and CCT



0-10V



100,000 HOURS



WET RATED



IP RATING



FIELD ADJUSTABLE

PERFORMANCE

FFLED FIELD-ADJUSTABLE 4000/5000K

FFLEDXS	4000K	5000K	4000K	5000K	4000K	5000K
Wattage	18W	18W	13W	13W	9W	9W
Input Watts	17.6W	17.4W	13.2W	13.1W	9.1W	9.0W
Lumens	2,671	2,612	1,964	1,920	1,312	1,283
Lm/W	151.8	150.1	148.8	146.6	144.2	142.6
CRI	83	82	83	82	83	82
Voltage Ratings	120-277V					

FFLEDS	4000K	5000K	4000K	5000K	4000K	5000K
Wattage	39W	39W	26W	26W	18W	18W
Input Watts	47.3W	46.7W	32.8W	32.4W	18.6W	18.4W
Lumens	6,771	6,666	4,916	4,840	2,885	2,840
Lm/W	143.2	142.7	149.9	149.4	155.1	154.3
CRI	82	83	82	83	83	83
Voltage Ratings	120-277V					

FFLED Field-Adjustable Floodlights



PERFORMANCE (CONTINUED)

FFLEDM	4000K	5000K	4000K	5000K
Wattage	80W	80W	52W	52W
Input Watts	76.7W	77.1W	58.7W	59.0W
Lumens	11,135	11,531	8,835	9,149
Lm/W	145.2	149.6	150.5	155.1
CRI	82	81	82	81
Voltage Ratings	120-277V			

FFLEDL	4000K	5000K	4000K	5000K	4000K	5000K
Wattage	230W	230W	180W	180W	120W	120W
Input Watts	258.8W	258.2W	194.2W	193.7W	117.5W	117.2W
Lumens	38,580	39,164	29,955	30,409	18,891	19,177
Lm/W	149.1	151.7	154.2	157	160.8	163.6
CRI	82	82	82	82	83	82
Voltage Ratings	120-277V					

FFLEDL	4000K	5000K	4000K	5000K	4000K	5000K
Wattage	230W	230W	180W	180W	120W	120W
Input Watts	250.6W	249.7W	172.3W	171.7W	104.5W	104.1W
Lumens	38,363	38,898	27,343	27,724	17,009	17,246
Lm/W	153.1	155.8	158.7	161.5	162.8	165.7
CRI	82	81	82	81	82	81
Voltage Ratings	480V					

FFLED STATIC CCT 3000K

FFLEDXSY	3000K	3000K	3000K
Wattage	18W	13W	9W
Input Watts	17.5W	13.2W	9.1W
Lumens	2,516	1,857	1,244
Lm/W	143.8	140.7	140.0
CRI	83	83	83
Voltage Ratings	120-277V		

FFLEDSY	3000K	3000K	3000K
Wattage	39W	26W	18W
Input Watts	46.1W	32.1W	18.5W
Lumens	6,491	4,668	2,757
Lm/W	140.8	145.4	149
CRI	81	82	82
Voltage Ratings	120-277V		

FFLEDM	3000K	3000K
Wattage	80W	52W
Input Watts	74.8W	57.2W
Lumens	11,038	8,652
Lm/W	147.6	151.3
CRI	81	81
Voltage Ratings	120-277V	

PERFORMANCE (CONTINUED)

FFLEDL	3000K	3000K	3000K
Wattage	230W	180W	120W
Input Watts	257.8W	196.8W	118.1W
Lumens	36,114	28,593	17,873
Lm/W	140.1	145.3	151.3
CRI	81	81	82
Voltage Ratings	120-277V		

FFLEDL	3000K	3000K	3000K
Wattage	230W	180W	120W
Input Watts	249.2W	174.3W	106.1W
Lumens	36,064	26,130	16,171
Lm/W	144.7	149.9	152.4
CRI	81	81	82
Voltage Ratings	480V		

TECHNICAL SPECIFICATIONS

COMPLIANCE

UL Listed

Suitable for wet locations. Suitable for mounting within 1.2m (4ft) of the ground.

DLC Listed

This product family is listed with the DesignLights Consortium (DLC). Individual SKUs within this family may carry either a DLC Standard or DLC Premium qualification. Please refer to the individual product specification sheet or the DLC Qualified Products List (QPL) at designlights.org to confirm the qualification status of a specific SKU prior to specification or purchase.

IESNA LM-79 & LM-80 Testing:

RAB LED luminaires and LED components have been tested by an independent laboratory in accordance with IESNA LM-79 and LM-80.

LED CHARACTERISTICS

LEDs

Long-life, high-efficacy, surface-mount LEDs

Color Uniformity

RAB's range of Correlated Color Temperature follows the guidelines of the American National Standards for Specifications for the Chromaticity of Solid State Lighting (SSL) Products, ANSI C78.377-2017.

Color Consistency

7-step MacAdam Ellipse binning to achieve consistent fixture-to-fixture color.

OPTICAL

NEMA Type:

NEMA Beam Spread of 7H x 6V

FACTORY SETTINGS

Wattages :

FFLEDXS: 18/13/9W (Default 18W)

FFLEDS: 39/26/18W (Default 39W)

FFLEDM: 80/52W (Default 80W)

FFLEDL: 230/180/120W (Default 230W)

Adjustable CCT: 4000/5000K (Default 4000K)

CONSTRUCTION

Cold Weather Starting

Minimum starting temperature is -40°C (-40°F)

Maximum Ambient Temperature

Suitable for use in up to 40°C (104°F)

Housing

Die-cast aluminum

Mounting

FFLEDXS/FFLEDS: Knuckle

FFLEDM: Knuckle, Slipfitter, Trunnion

FFLEDL: Slipfitter, Trunnion

Tilt increment

Slipfitter: 5°

Trunnion: 30°

Lens

Ultra-clear tempered glass

Reflector

Vacuum metalized polycarbonate

Gaskets

High-temperature silicone

Green Technology

Mercury and UV free. RoHS-compliant components.

Finish

Formulated for high durability and long lasting color. Available in bronze & white finish.

IP Rating

Ingress protection of IP66 for dust and water

ELECTRICAL

Drivers:

Constant Current, Class 2, 120-277V, 50/60 Hz

Constant Current, Class 1, 480V, 50/60 Hz

FFLEDXS @ 5000K/4000K

9W: 120V: 0.07A, 208V: 0.05A, 240V: 0.04A, 277V: 0.04A

13W: 120V: 0.10A, 208V: 0.07A, 240V: 0.06A, 277V: 0.05A

18W: 120V: 0.14A, 208V: 0.09A, 240V: 0.08A, 277V: 0.07A

FFLEDS @ 5000K/4000K

18W: 120V: 0.16A, 208V: 0.09A, 240V: 0.08A, 277V: 0.08A

26W: 120V: 0.27A, 208V: 0.15A, 240V: 0.13A, 277V: 0.12A

39W: 120V: 0.39A, 208V: 0.22A, 240V: 0.19A, 277V: 0.17A

TECHNICAL SPECIFICATIONS (CONTINUED)

ELECTRICAL

FFLEDM @ 5000K/4000K

52W: 120V: 0.48A, 208V: 0.28A, 240V: 0.24A, 277V: 0.21A
80W: 120V: 0.62A, 208V: 0.36A, 240V: 0.31A, 277V: 0.27A

FFLEDL @ 5000K/4000K

120W: 120V: 0.99A, 208V: 0.57A, 240V: 0.50A, 277V: 0.47A
180W: 120V: 1.64A, 208V: 0.95A, 240V: 0.82A, 277V: 0.72A
250W: 120V: 2.15A, 208V: 1.24A, 240V: 1.08A, 277V: 0.93A

FFLEDL @ 480V

120W: 480V: 0.26A
180W: 480V: 0.39A
250W: 480V: 0.54A

THD (3000K models)

FFLEDXSY: 120V: 12.0%, 277V: 9.03%
 FFLEDSY: 120V: 3.7%, 277V: 8.9%
 FFLEDMY: 120V: 4.2%, 277V: 9.8%
 FFLEDLY120V: 3.5%, 277V: 6.9%
 FFLEDLY/480: 480V: 6.8%

THD (4000/5000K models)

FFLEDXS: 120V: 14.3%, 277V: 12.9%
 FFLEDS: 120V: 3.3%, 277V: 7.5%
 FFLEDM: 120V: 2.64%, 277V: 9.0%
 FFLEDL: 120V: 3.5%, 277V: 7.3%
 FFLEDL/480: 480V: 5.8%

Power factor (3000K models)

FFLEDXSY: 120V: 98.1%, 277V: 95.4%
 FFLEDSY: 120V: 99.8%, 277V: 95.8%
 FFLEDMY: 120V: 99.8%, 277V: 96.7%
 FFLEDLY120V: 99.9%, 277V: 97.1%
 FFLEDLY/480: 480V: 96.3%

ELECTRICAL (CONTINUED)

Power Factor (4000/5000K models)

FFLEDXS: 120V: 97.5%, 277V: 93.8%
 FFLEDS: 120V: 99.9%, 277V: 95.4%
 FFLEDM: 120V: 99.9%, 277V: 96.3%
 FFLEDL: 120V: 99.9%, 277V: 97.1%
 FFLEDL/480: 480V: 96.3%

Surge Protection

FFLEDXS / FFLEDS: 4kV
 FFLEDM: 6kV
 FFLEDL: 6kV

Dimming Driver:

Driver includes dimming control wiring for 0-10V dimming systems. Requires separate 0-10V DC dimming circuit. Dims down to 10%.

OTHER

Warranty

RAB warrants that our LED products will be free from defects in materials and workmanship for a period of ten (10) years from the date of delivery to the end user, including coverage of light output, color stability, driver performance and fixture finish. RAB's warranty is subject to all terms and conditions found at rablighting.com/warranty.

Lifespan

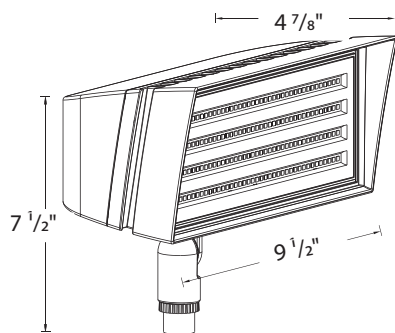
100,000-hour LED lifespan based on IES LM-80 results and TM-21 calculations

DIMENSIONS

FFLEDXS : 18/13/9W

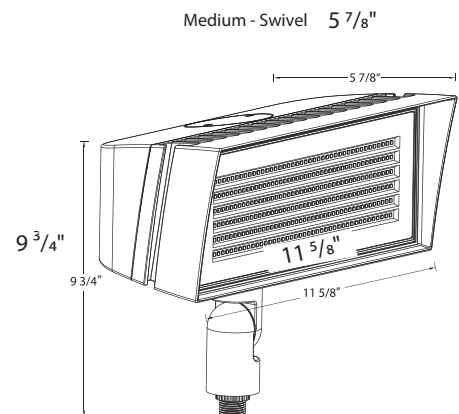
FFLEDS : 39/26/18W

Weight 5.3 lbs



FFLEDM : 80/52W

Weight 9.7 lbs



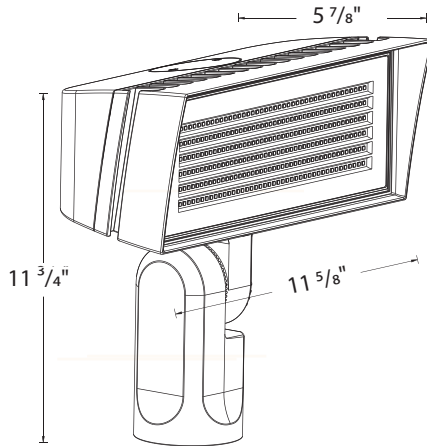
FFLED Field-Adjustable Floodlights



DIMENSIONS (CONTINUED)

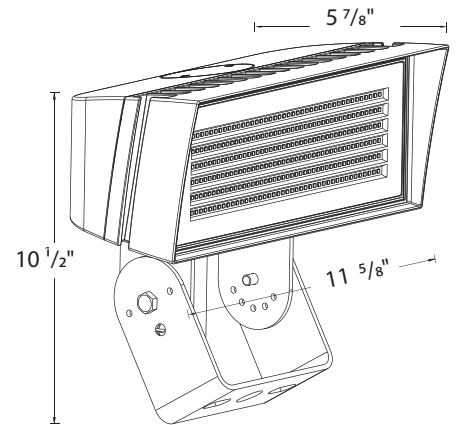
FFLEDMSF : 80/52W

Weight 11 lbs



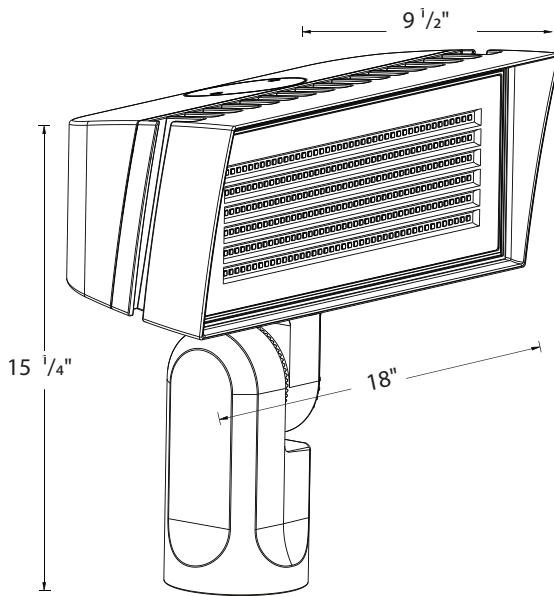
FFLEDMT : 80/52W

Weight 12.3 lbs



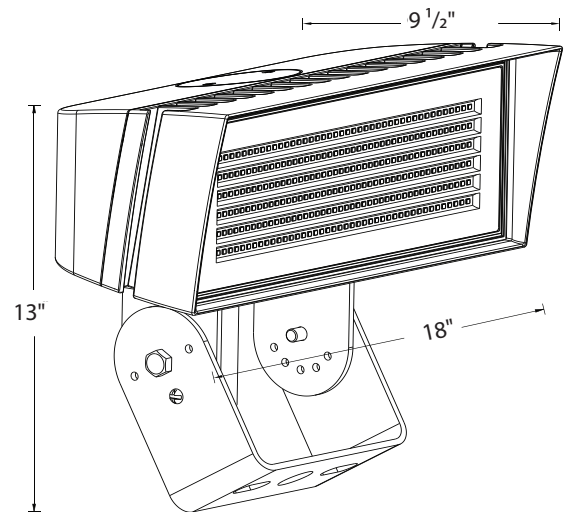
FFLEDLSF : 230/180/120W

Weight 27.5 lbs



FFLEDLT : 230/180/120W

Weight 27.9 lbs



ORDERING MATRIX

FFLED

Family	Housing Size	Color Temperature	Mounting	Finish	Voltage	Options
FFLED						
XS	Selectable (18/13/9W)	BLANK FA 4000/5000K	BLANK Knuckle Mount ¹	BLANK Bronze	BLANK 120-277V	BLANK No Option
S	Selectable (39/26/18W)	Y 3000K	SF Slipfitter ²	W White	/480 480V ³	/7PR 7 Pin Receptacle ²
M	Selectable (80/52W)		T Trunion ²			/PCU Universal Button Photocell ¹
L	Selectable (230/180/120W)					

¹ Available only for FFLEDXS, FFLEDS & FFLEDM

² Available only for FFLEDM & FFLEDL

³ Available only for FFLEDL