

PWLED Field-Adjustable Portrait Wall Pack



PWLED



PROJECT:

DATE:

TYPE:

PREPARED BY:



KEY FEATURES

- Field-adjustable portrait wall pack
- Selectable Wattages: 72/41/13W
- Field-adjustable CCT: 3000/4000/5000K
- On/Off Photocell
- Voltage ratings: 120-277V & 480V
- 0-10V dimming
- Suitable for wet locations
- 10-year no-compromise warranty

Field-adjustable portrait wall pack



PERFORMANCE:

PWLED	3000K	4000K	5000K	3000K	4000K	5000K	3000K	4000K	5000K
Wattage	72W			41W			13W		
Input Watts	68.3	66.0	68.7	39.3	38.3	39.3	13.0	12.7	12.9
Lumens	8,922	9,694	9,693	5,499	5,850	5,943	1,769	1,840	1,904
Efficacy	130.6	146.9	141.1	139.9	152.7	151.2	136.1	144.9	147.6
CRI	81	84	83	81	84	82	82	84	82
Voltage	120-277V								

PWLED	3000K	4000K	5000K	3000K	4000K	5000K	3000K	4000K	5000K
Wattage	72W			41W			13W		
Input Watts	70.8	68.3	71.2	39.8	38.9	39.8	13.4	13.2	13.4
Lumens	8,874	9,621	9,642	5,288	5,643	5,725	1,643	1,721	1,786
Efficacy	125.3	140.9	135.4	132.7	145.1	143.9	122.6	130.4	133.3
CRI	81	84	83	81	84	82	82	84	83
Voltage	480V								

PWLED Field-Adjustable Portrait Wall Pack

TECHNICAL SPECIFICATIONS

ELECTRICAL

Drivers

PWLED:

Constant Current, Class 2, 120-277V, 50/60Hz

72W: 120V: 0.58A, 208V: 0.35A, 240V: 0.25A, 277V: 0.16A

41W: 120V: 0.33A, 208V: 0.20A, 240V: 0.18A, 277V: 0.10A

13W: 120V: 0.12A, 208V: 0.07A, 240V: 0.050A, 277V: 0.04A

Constant Current, Class 2, 480V, 50/60Hz

72W: 480V: 0.16A

41W: 480V: 0.10A

13W: 480V: 0.04A

Dimming Driver:

Driver includes dimming control wiring for 0-10V dimming systems. Requires separate 0-10V DC dimming circuit. Dims to off.

Photocell:

Integrated photocell included with on/off switch

Surge Protection:

L-L 4kV, L-G 6kV (120-277V)

L-L 6kV, L-G 6kV (480V)

THD: (Default)

PWLED: 10.0% @ 120V, 9.8% at 277V, 7.6% at 480V

Power Factor:

PWLED: 99.3% @ 120V, 97.1% at 277V, 91.7% at 480V

CONSTRUCTION

Cold Weather Starting

Minimum starting temperature is -40° F (-40° C)

Maximum Ambient Temperature

Suitable for use in up to 104° F(40° C)

Housing

Die-cast aluminum housing

Mounting

Wall mount

Lens

Borosilicate glass

Reflector

Specular Aluminum

Gasket

Silicone Rubber

Green Technology

Mercury and UV free. RoHS-compliant components.

Finish

Formulated for high durability and long lasting color.

OPTICAL

Bug Ratings:

PWLED: @4000K

72W: B1 U3 G3

41W: B1 U3 G3

13W: B0 U2 G1

COMPLIANCE

UL Listed

Suitable for wet locations

ADA Compliant:

Meets ADA Requirements for wall-mounted luminaires.

DLC Listed

This product family is listed with the DesignLights Consortium (DLC). Individual SKUs within this family may carry either a DLC Standard or DLC Premium qualification. Please refer to the individual product specification sheet or the DLC Qualified Products List (QPL) at designlights.org to confirm the qualification status of a specific SKU prior to specification or purchase.

LED CHARACTERISTICS

LEDs

Long-life, high-efficacy, surface-mount LEDs

Color Uniformity

RAB's range of Correlated Color Temperature follows the guidelines of the American National Standards for Specifications for the Chromaticity of Solid State Lighting (SSL) Products, ANSI C78.377-2017.

FACTORY DEFAULT

Power Adjustable: 72/41/13W (Default **41W**)

CCT Adjustable: 3000/4000/5000K (Default **4000K**)

OTHER

Warranty

The RAB 10-year, no-compromise warranty covers light output, color stability, driver performance, and paint finish. RAB's warranty is subject to all terms and conditions found at rablighting.com/warranty

Lifespan

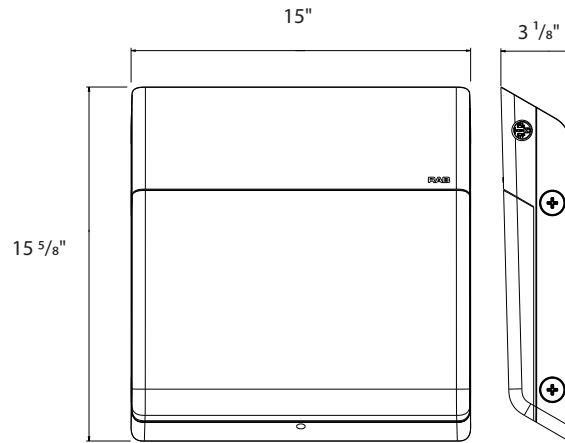
100,000-hour LED lifespan based on IES LM-80 results and TM-21 calculations

PWLED Field-Adjustable Portrait Wall Pack

DIMENSIONS :

PWLED

Weight: 9.0 lbs



ORDERING MATRIX

PWLED

Family	Wattage	Mounting	Color Temperature	Finish	Driver	Controls
PWLED						
BLANK	72/41/13W	BLANK Wall Mount	BLANK 3000/4000/5000K CCT Adjustable	BLANK Bronze	BLANK 120-277V, 0-10V dimming /480 480V, 0-10V dimming	BLANK Selectable On/Off Photocell